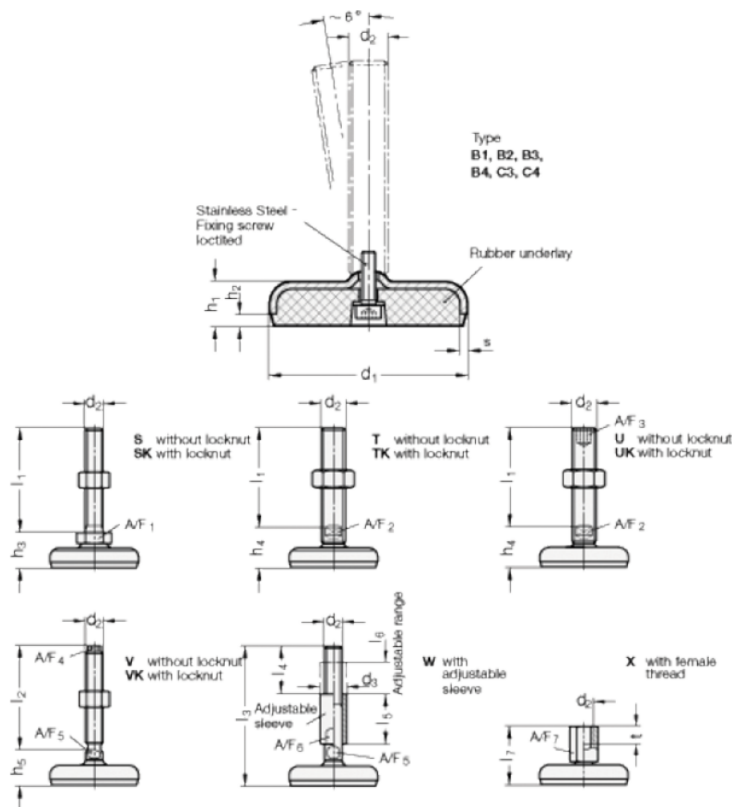


Article number: 203180M16150C4W

Description: E+G levelling foot  
GN 31-80-M16-150-C4-W

Note: W With adjustable sleeve , Hygienic Version, Wrench flat at the bottom

## Measures



A/F5 = 12	$l_3 + 4.0/0 = 150$
A/F6 = 20	$l_4 = 45$
$d_1 = 80$	$l_5 = 45$
$d_2 = 16$	$l_6 = 29$
$d_3 = 24$	$s = 3$
$h_1 = 18$	
$h_2 = 5$	
$l_1 = 150$	